

# LSD

## 系列立式上部拉袋下卸料离心机

LSD Upper Bag-Shaking Centrifuge

### ● 工作原理

立式上部拉袋下卸料离心机是在L(P)GZ型离心机特点上进行改进设计的一种产品，机盖上设置拉袋装置，分离结束后，拉袋装置动作，往复拉动活动的滤袋，固体物料借助于自身的重力从转鼓下部落料孔排出。

### ● Working principle

The upper bag shaking centrifuge is a kind of product improved and designed on the basis of the features of the L(P)GZ centrifuge. Bag-shaking device is provided on the top of lid. When the separation is finished, the bag shaking device acts to pull the moveable filter bag reciprocally. The solid products are discharged by its own gravity from the product discharging hole on the bottom of the drum.

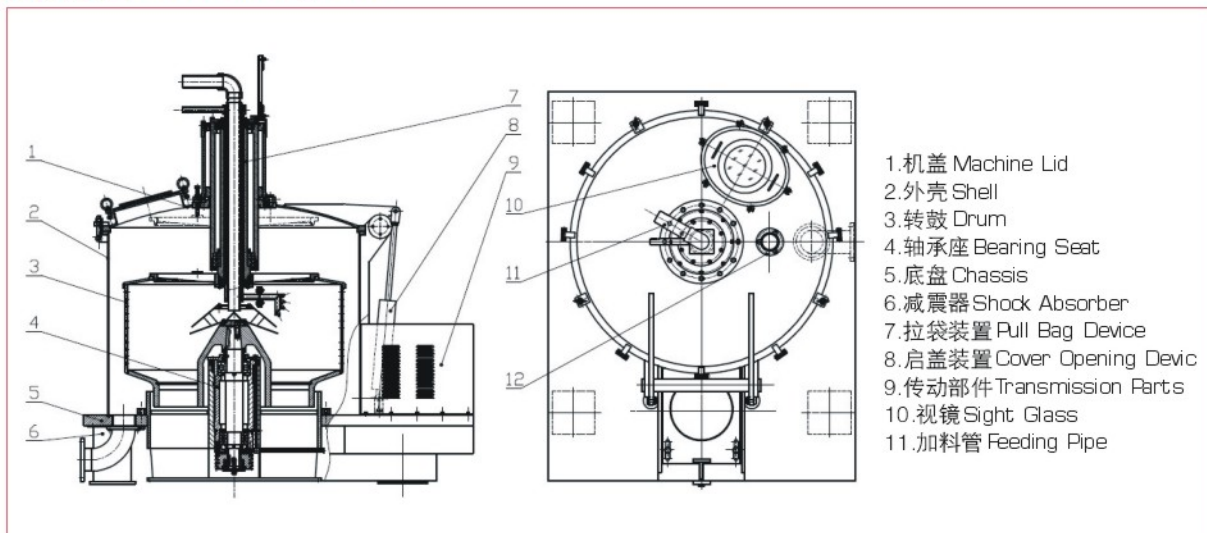
### ● 主要特点

- 1.无残余料层;
- 2.对物料的颗粒无损伤，尤其适用于对颗粒完整要求高的场合;
- 3.最佳化的功能设置，实现高效、可靠的运行;
- 4.降低劳动强度，改善操作环境;
- 5.可选配残余滤饼自动清除装置(获国家专利)。

### ● Main characteristics

- 1.No residual product layers.
- 2.No damage to product granules, it is especially suitable for applications that have high requirements for granular integrity.
- 3.The optimal function settings can realize high efficiency and reliable running.
- 4.The labor intensity is reduced and the operating environment is improved.
- 5.The automatic residual cakes removing device is optional (have owned the national patent).

### ● 结构示意图 Schematic diagram of



### ● 型号及主要技术参数 Model and main technical parameters

项目 Item	型号 Model	LSD-800	LSD-1000	LSD-1250	LSD-1600
转鼓直径 Drum diameter(mm)		800	1000	1250	1600
转鼓高度 Drum Height(mm)		400	420	500	800
转鼓容积 Drum volume(L)		90	140	260	800
装料限量 Loading capacity(Kg)		120	180	320	1000
最高转速 Max. speed(r/min)		1500	1080	1000	850
最大分离因素 Max.Separating factor		1007	652	698	646
电机功率 Motor power(Kw)		7.5	15	18.5	37
机器重量 Machine Weight(Kg)		2100	3600	5500	12600